

REDUCE PART MARKING

WILA ROTABEND®



WILA ROTABEND

WILA prides itself on producing the finest quality and highest precision press brake tooling, and it makes no exception with its new line of rotating v dies, RotaBend. With tight tolerances and CNC Deephardened contact surfaces and rotor wings, you can now easily bend short flanges and reduce part marking without sacrificing the WILA quality and precision you've come to expect.

WILA RotaBend includes replaceable built-in inserts that rotate to enable forming of short or tapered flanges.

Advantages of WILA RotaBend:

- Eliminates distortion at holes near the bend line.
- Reduces part marking.
- Forms very tight inside radius when required.
- Rotor wings and contact surface of the body are hardened, ensuring long term durability and accuracy.
- Rotor wings are very easy to disassemble and clean.
- Machined to extremely tight tolerances for ultimate precision.
- Narrow tool design for down flange bending freedom.
- Suitable for bending various material thicknesses.
- Can be combined with OM tools for bending 90° angles.



	OZU-WRB-301	OZU-WRB-302	OZU-WRB-303
Max. material thickness	2 mm	3 mm	5 mm
Center distance of two rotors (wing rotor opening)	8.9 mm	12.9 mm	26.3 mm
Max. applicable tip radius of the top tool	2.4 mm	3 mm	6 mm
Min. outside flange length*	5.2 mm (S=1mm)	6.5 mm (S=1 mm)	15.5 mm (S=2 mm)
Return bend (outside dimension)	14.4 mm (S=1mm)	20 mm (S=1 mm)	35 mm (S=2 mm)
Min. bend angle**	40°	40-60° (40° max. S=2 mm)	60° (max. S=4 mm)
Hardness of wing rotor (see below in blue)	56-60 HRC	56-60 HRC	56-60 HRC
Hardness of body contact surface (see below in red)	52-54 HRC	52-54 HRC	52-54 HRC
Working height***	100 mm	100 mm	100 mm
Bottom adaption width	13 mm	13 mm	13 mm
Tonnage capacity	100 t/m	130 t/m	200 t/m
Available lengths	515 mm	515 mm	515 mm
	550 mm sectioned	550 mm sectioned	515 mm
	200 mm	200 mm	200 mm
	100 - 100 mm	100 - 100 mm	100 - 100 mm

* These dimensions are outside dimensions and apply to bending mild steel at 90°. Dimensions can change with stainless steel and aluminum.

** Minimum bend angle may vary depending material and punch radius.

*** Can be combined with OM tools for bending 90° angles.

THREE DIFFERENT MODELS

WILA introduces its line of RotaBend, available in three models for bending up to 5 mm material thickness.

OZU-WRB-301



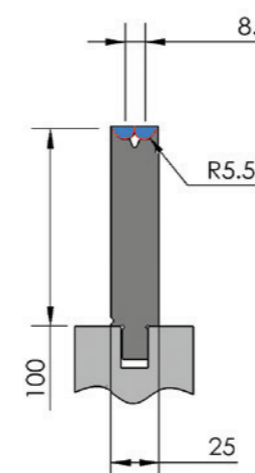
OZU-WRB-302



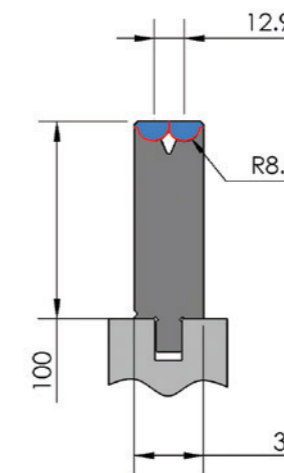
OZU-WRB-303



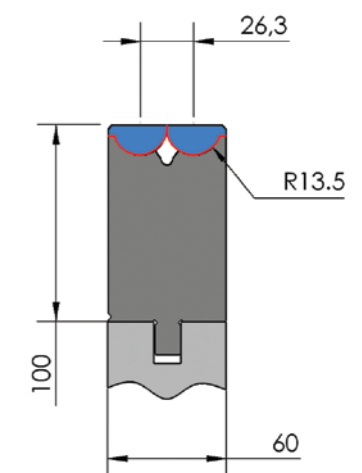
OZU-WRB-301



OZU-WRB-302



OZU-WRB-303



WILA. THE PRESS BRAKE PRODUCTIVITY PEOPLE.

WILA fully concentrates on the development of products and solutions to optimize the productivity of your press brake. WILA has been producing clamping and crowning systems as well as tools and accessories to improve set-up times and increase the precision of your press brake for decades. Through close cooperation with the world's leading press brake manufacturers, an extensive and competent distribution network, in-house development, sales and production, WILA is the right partner to fulfill your needs.

WILA B.V.

P.O. box 60

NL-7240 AB Lochem

The Netherlands

Phone +31 (0)573 28 98 00

Phone sales +31 (0)573 28 98 50

E-mail: info@wila.nl



ORDER OUR TOOLING ONLINE

Get prices, delivery times and place quotes and orders in just a few clicks using Webshop.
webshop.wila.nl

www.wila.nl

 **WILA**
SINCE 1932
THE PRESS BRAKE PRODUCTIVITY PEOPLE